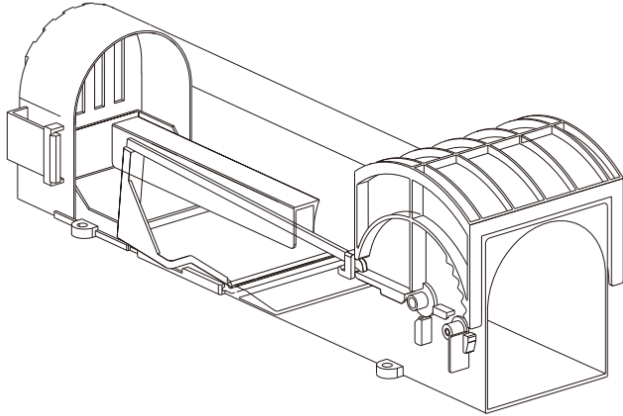


Humane Rat Trap



Against the traditional rat traps, humane rat traps are a smart and humane way to remove rats. The traps leave rats completely unharmed. The eco-friendly solution uses no poisons, and is safe around children and pets. It's as easy as rescue, relocate & release.

Advantages of the device:

- easy to check
- non-toxic
- reusable
- durable and weatherproof
- contactless usage

CONTENTS:

- 1 pc rat trap
- user instructions

DISTRIBUTOR:

Doxmand Hungary Ltd.
HU-9096 Nyalka, Kossuth str. 73.
Magyarország

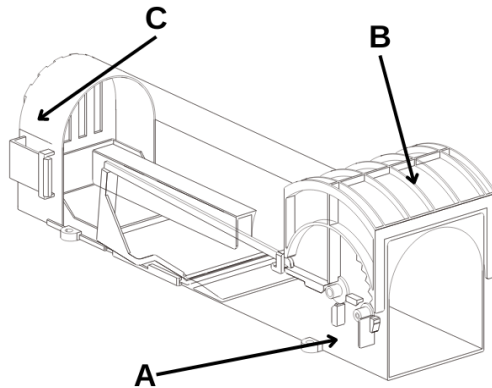
www.doxmand.hu | info@doxmand.hu | +36-30-692-8785

Made in: China

Dimensions: 325 x 85 x 80 mm

Material: transparent plastic

USER INSTRUCTIONS



- 1) Open the bait door: pull the spring lock (A) on the side of the trap to the left, then swing the door up onto the top of the trap (B)
- 2) Push in the tabs on both sides of the bait compartment and pull out the compartment (C).
- 3) Place the bait in the compartment and then slide it back into place.
- 4) Place the trap in the rat's route. When the rat passes through the door, stepping onto the tilting bench, its weight causes the trap door to close behind it, and the animal gets stuck in the trap unharmed.
- 5) Release the rat: to release, slide open the compartment and allow the animal to run free.

Be sure to disinfect your hands after use!

WASTE MANAGEMENT



Protect our environment!

Dispose of the materials used for packaging separately in the waste. Put cardboard and paper in the paper and foil in the plastic selective waste bin.